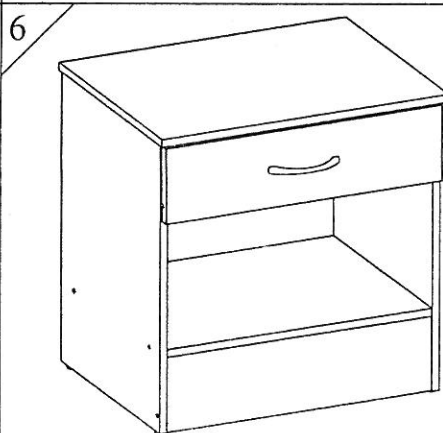
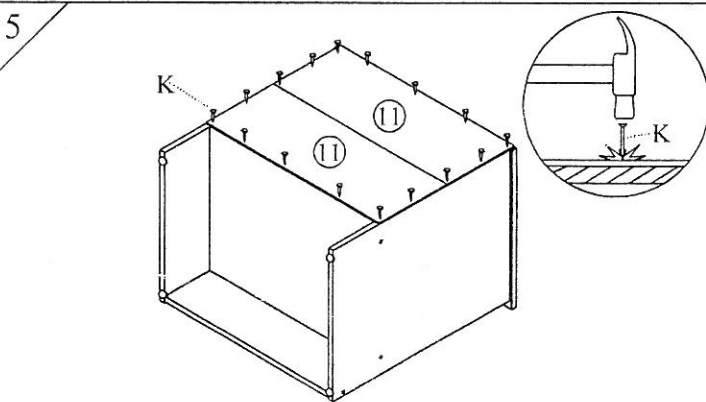
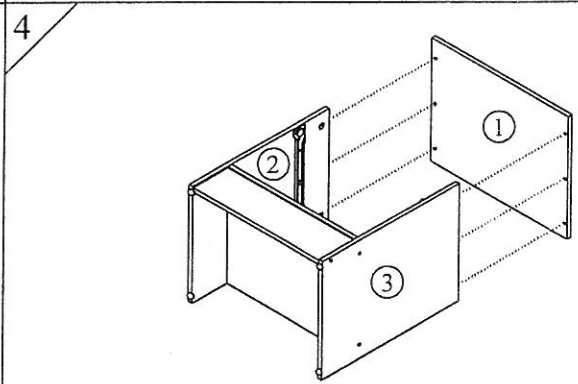
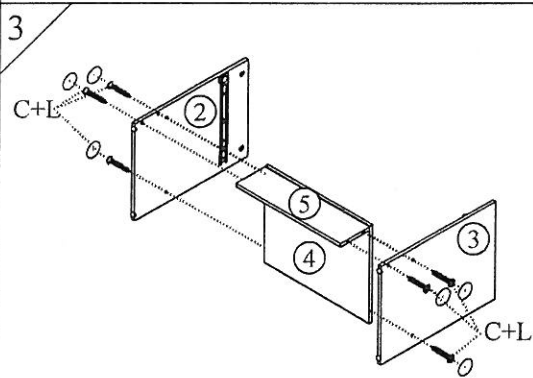
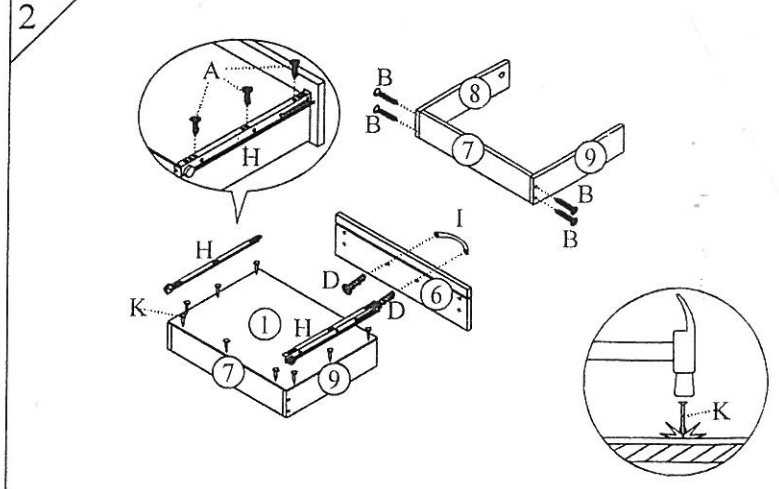
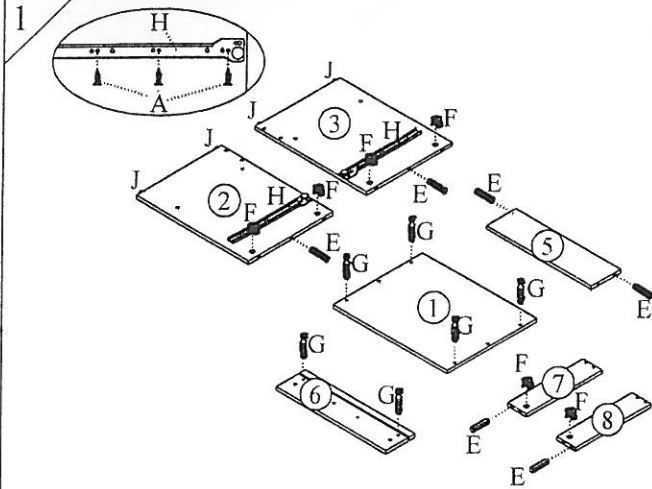
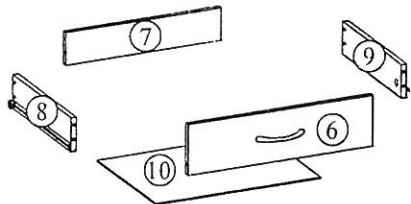
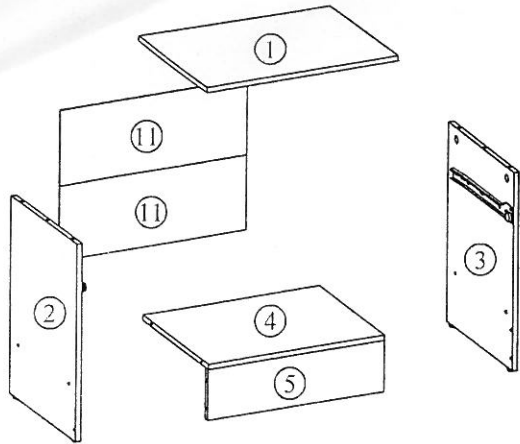


Model	DN SIT 102130	Issue Date	19 - 03 - 2015	Draw By	CL TAY	Approved By / Date	
Form No	P13-RD-05-Rev01	Revision	ARK 1.1	Checked By	CK TAY	Sheet	01 / 01
Description	Assembly Instructions						



A		CSK SCREW M3.5 x 12 mm	12
B		CSK SCREW M4 x 38 mm	4
C		CSK SCREW M4 x 45 mm	6
D		T/MS SCREW M4 x 16 mm	2
E		WOOD DOWEL M6 x 25 mm	6
F		CAM NUT 12 mm	6
G		CAM BOLT	6
H		METAL RUNNER 12"	1
I		HANDLE 205 - 96 METAL	1
J		PVC NAIL 5/8"	4
K		NAIL	25
L		STICKER	6

Note : The Gloss Panels have been protected with a protective film please remove the protective film after assembly of the product.