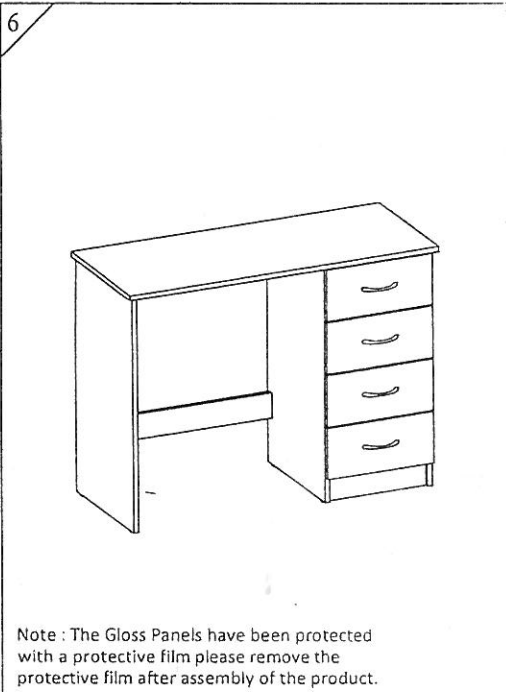
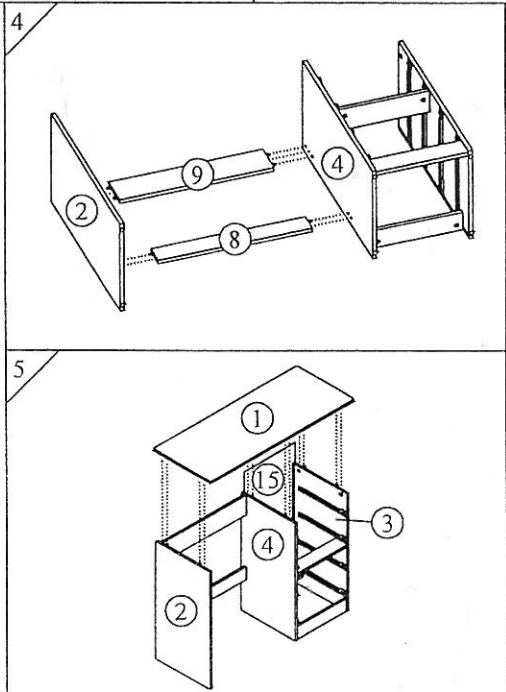
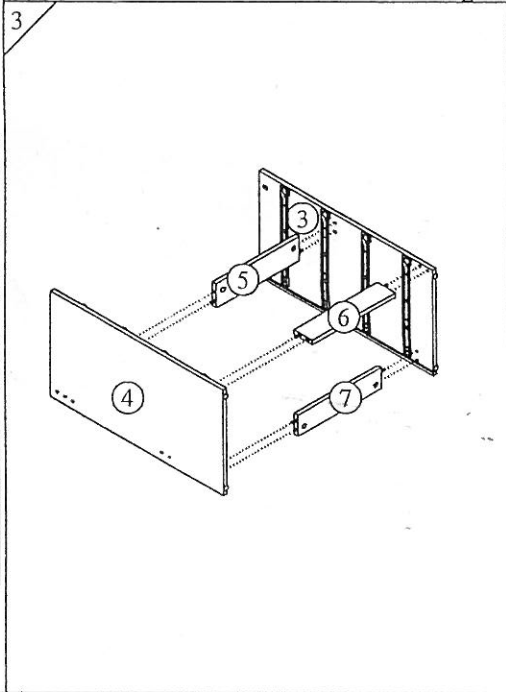
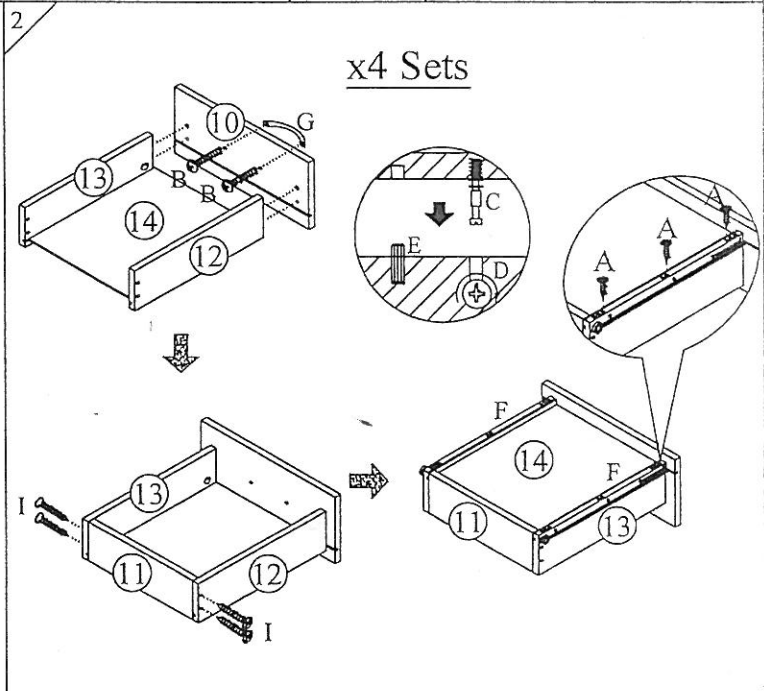
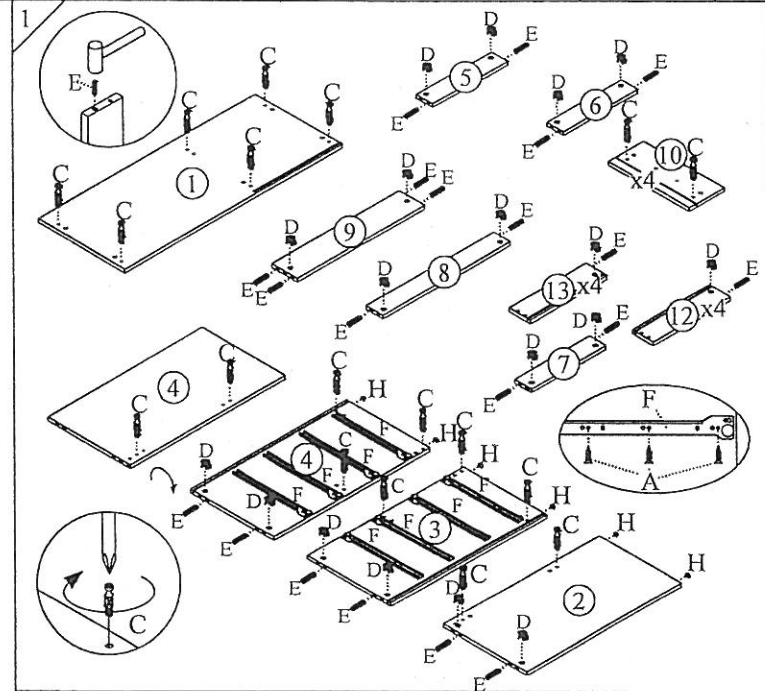
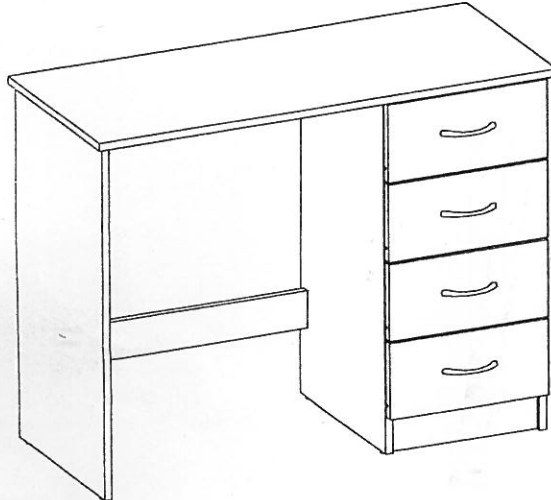




Model	DN DRT 116400	Issue Date	18 - 04 - 2016	Draw By	CL TAY	Approved By / Date	
Form No	P13-RD-05-Rev01	Revision	ARK 1.0	Checked By	CK TAY	Sheet	01 / 01
Description	Assembly Instructions						



A		M3.5 x 12mm CSK SCREW	48
B		M4 x 18mm T/MS SCREW	8
C		CAM BOLT	24
D		CAM NUT 15 mm	24
E		WOOD DOWEL 8 x 30mm	26
F		METAL RUNNER 14"	4
G		HANDLE 205 - 96 METAL	4
H		PVC NAIL	6
I		M4 x 38mm CSK SCREW	16

Note : The Gloss Panels have been protected with a protective film please remove the protective film after assembly of the product.