

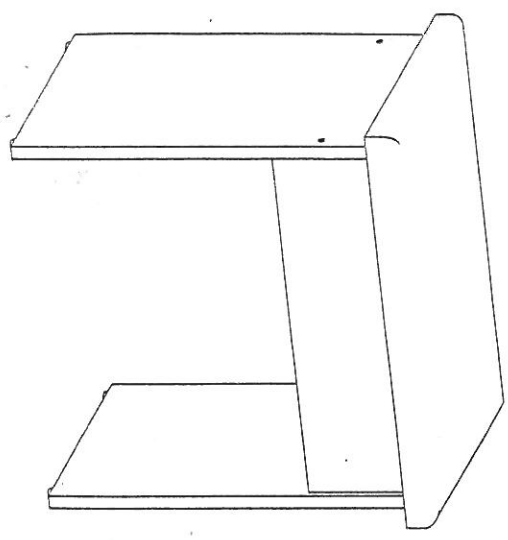


Model	DN STL 920000
Form No	PI3-RD-05-Rev01
Description	Assembly Instructions

Issue Date	07 - 06 - 2017
Revision	STL 1.0

Draw By	CL TAY
Checked By	CK TAY

Approved By / Date	01 / 01
--------------------	---------



A	CSK SCREW M4 x 45 mm	4
B	WOOD DOWEL M6 x 25 mm	12
C	CAM NUT 15 mm	4
D	CAM BOLT	4
E	STICKER	4
F	PVC NAIL 5/8"	4

