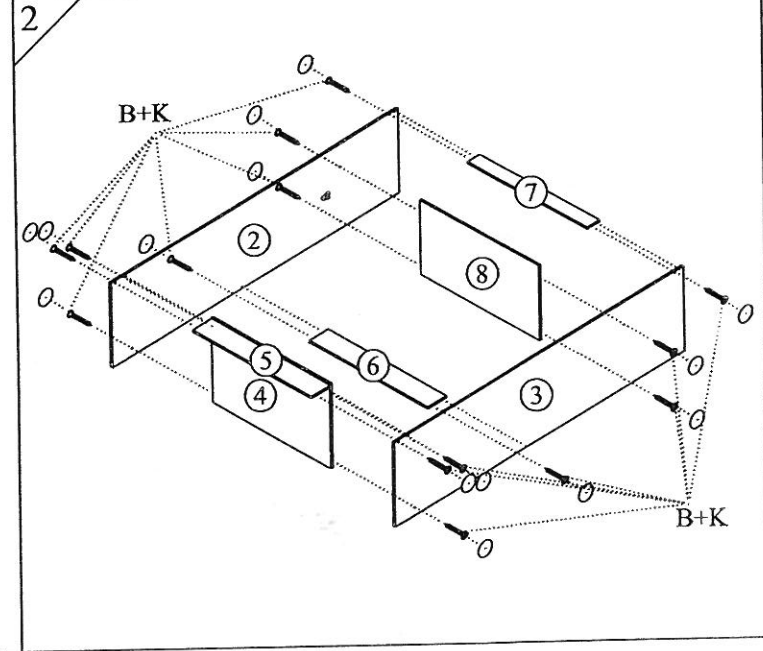
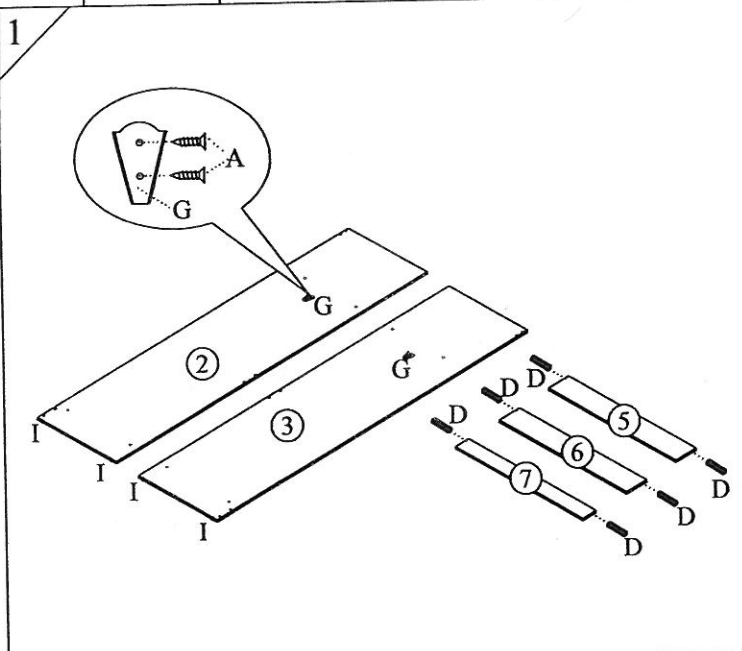
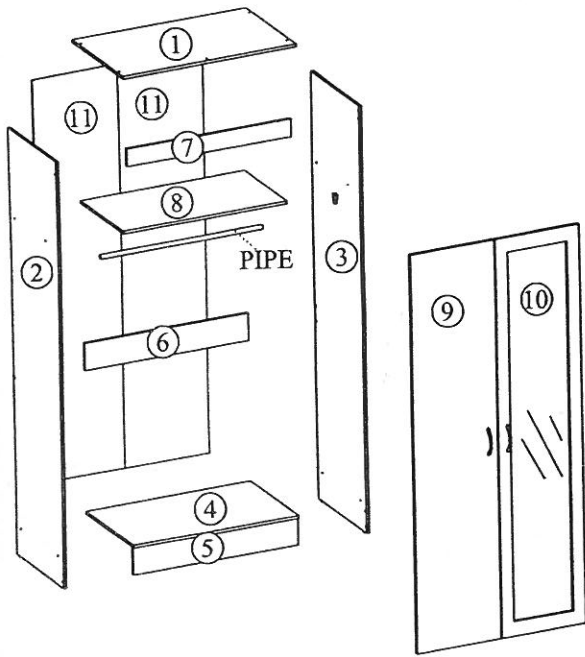
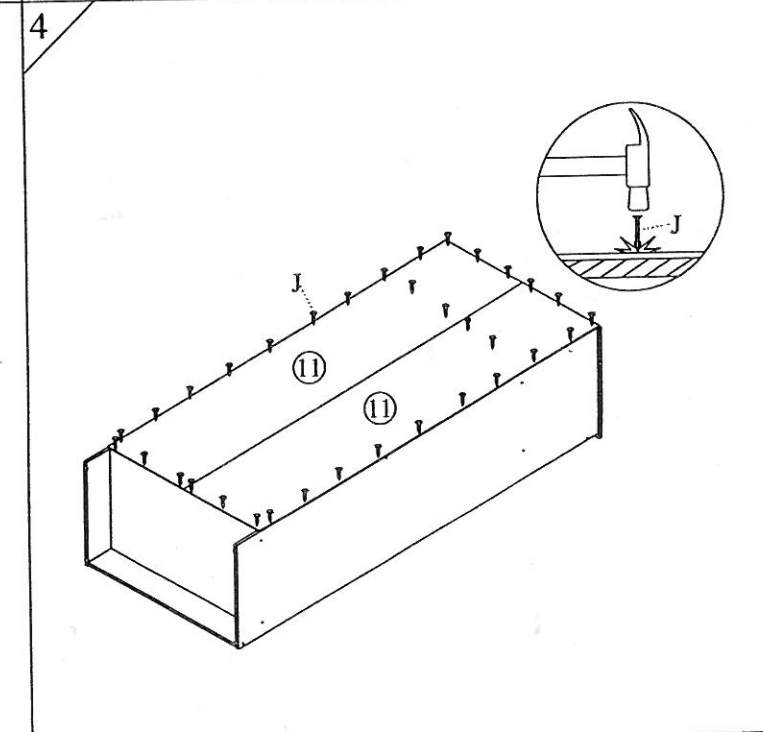
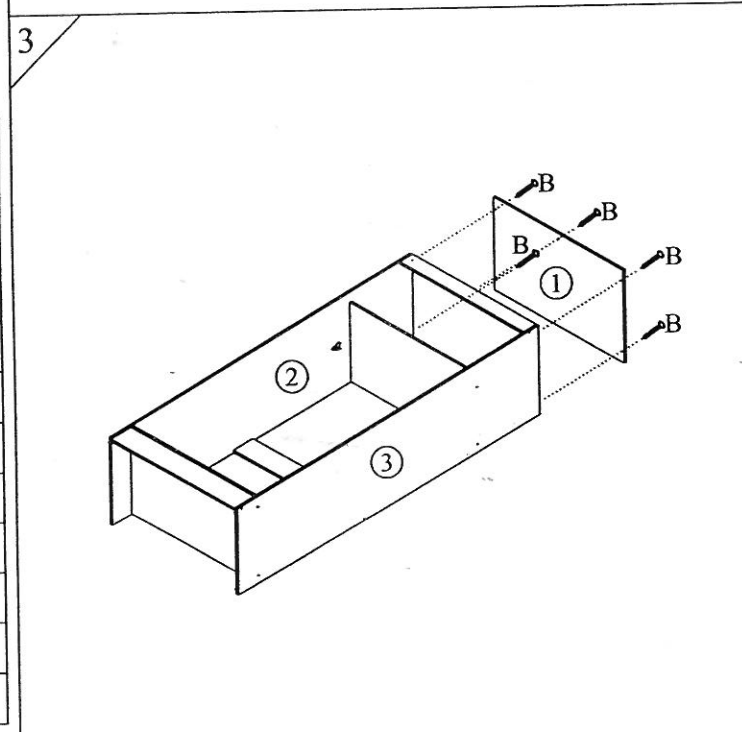




Model	DN WAR 200108 - 1 LM	Issue Date	18 - 08 - 2015	Draw By	CK TAY	Approved By / Date	<i>[Signature]</i>
Form No	P13-RD-05-Rev01	Revision	ARK 1.0	Checked By	CK TAY	Sheet	01 / 02
Description	Assembly Instructions						



A	CSK SCREW M3.5 x 12 mm	28
B	CSK SCREW M4 x 45 mm	19
C	T/MS SCREW M4 x 18 mm	2
D	WOOD DOWEL M6 x 25 mm	6
E	HANDLE 205 - 128 METAL	2
F	PIPE 712 mm	1
G	V - BRACKET	2
H	HINGES 95A	6
I	PVC NAIL 5/8"	4
J	NAIL	34
K	STICKER	14
L	T/MS SCREW M4 x 20 mm	2





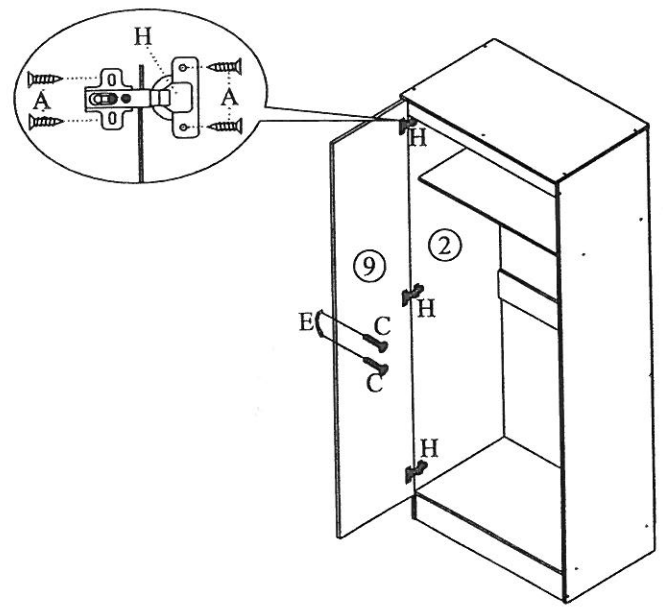
Model	DN WAR 200108 - 1 LM
Form No	P13-RD-05-Rev01
Description	Assembly Instructions

Issue Date	18 - 08 - 2015
Revision	ARK 1.0

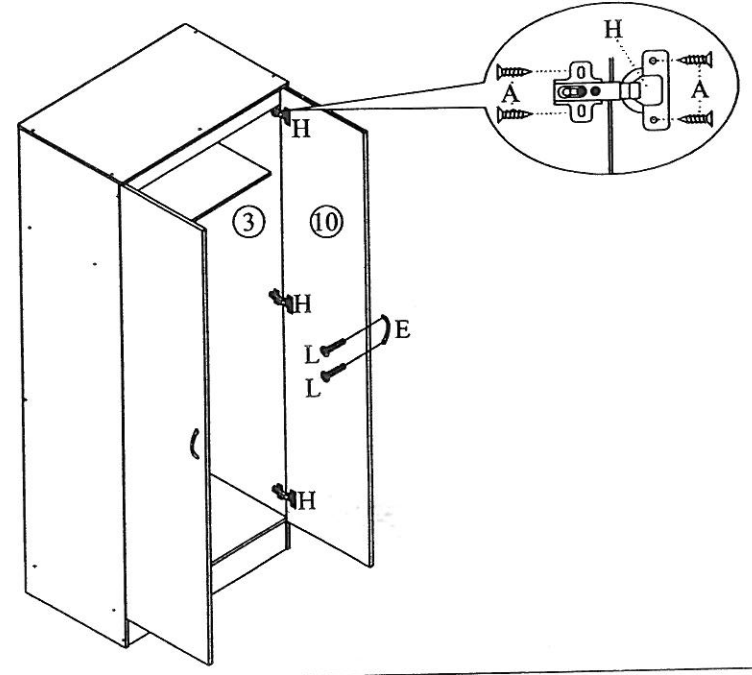
Draw By	CK TAY
Checked By	CK TAY

Approved By / Date	<i>S. P. / 18/08/15</i>
Sheet	02 / 02

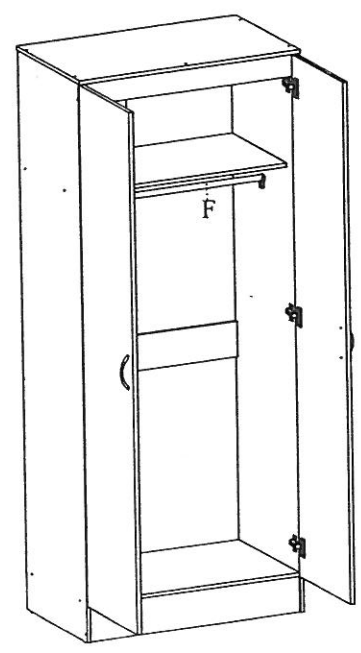
5



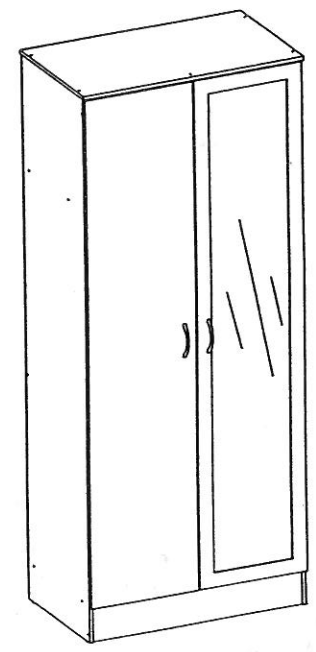
6



7



8



Note : The Gloss Panels have been protected with a protective film please remove the protective film after assembly of the product.