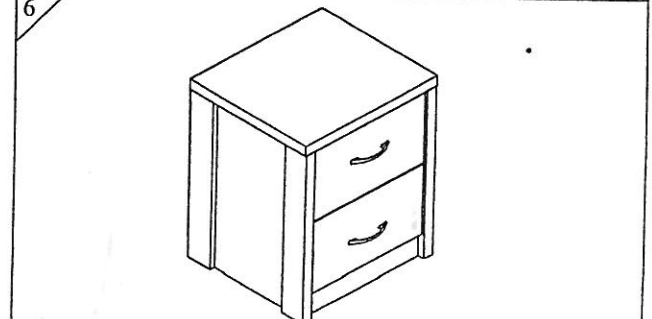
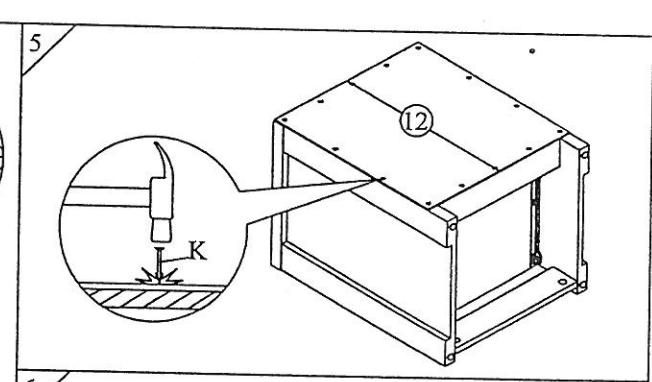
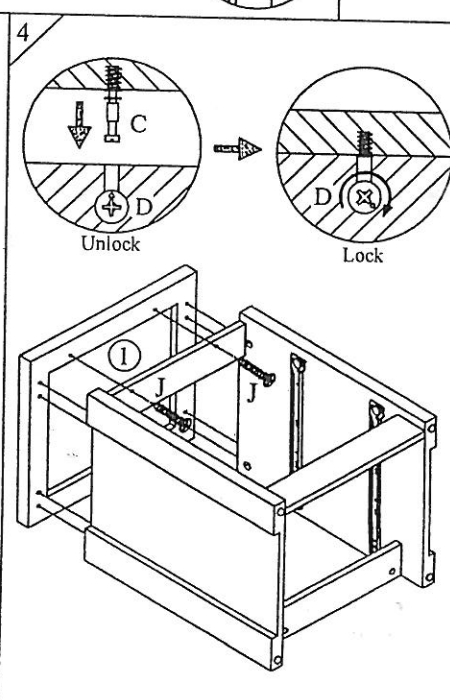
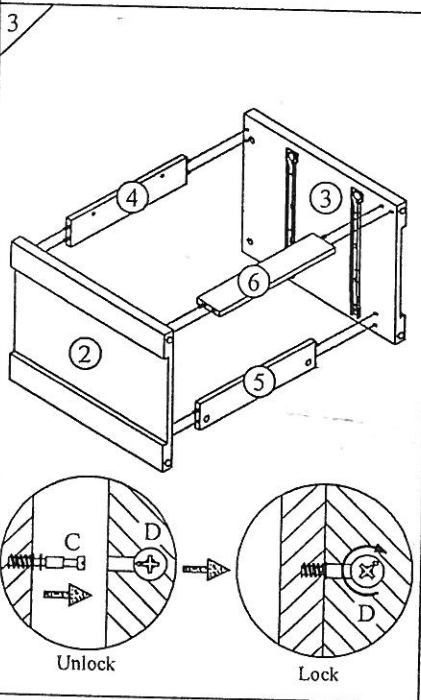
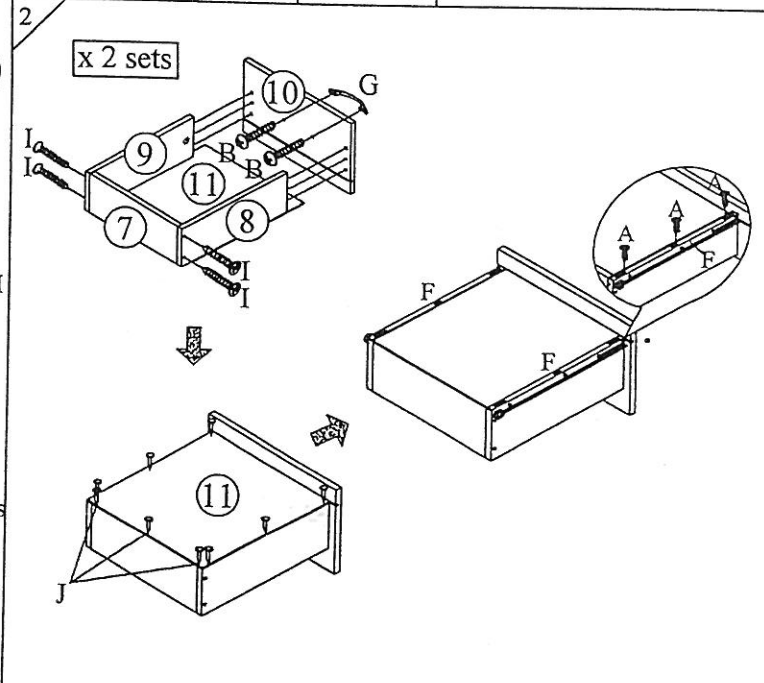
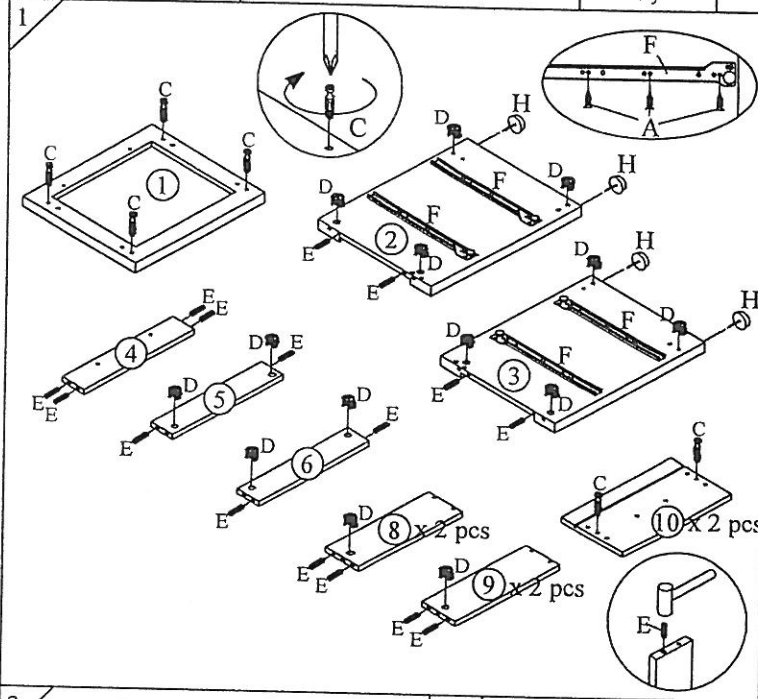
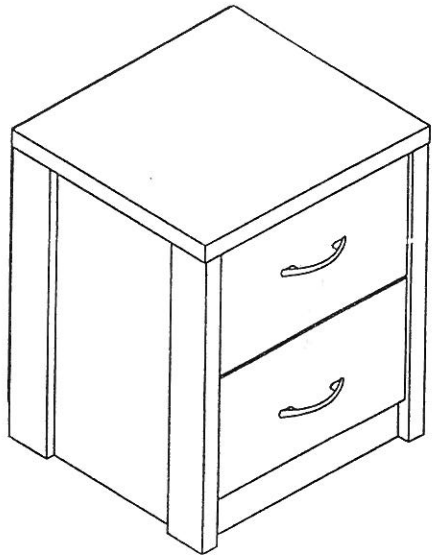




Model	DN SIT 102180	Issue Date	27 - 07 - 2015	Draw By	WILSON NG	Approved By / Date	
Form No	P13-RD-05-Rev01	Revision	ARK 1.0	Checked By	CK TAY	Sheet	01 / 01
Description	Assembly Instructions						



A		M3.5 x 12mm CSK SCREW	24
B		M4 x 20mm T/MS SCREW	4
C		SCREW - IN DOWEL	12
D		CAM FITTING (15mm)	12
E		WOOD DOWEL 8 x 30mm	20
F		METAL RUNNER 14"	2
G		HANDLE 124 - 96 METAL	2
H		PVC NAIL	4
I		M4 x 38mm CSK SCREW	8
J		M4 x 25mm CSK SCREW	2
K		NAIL	36