

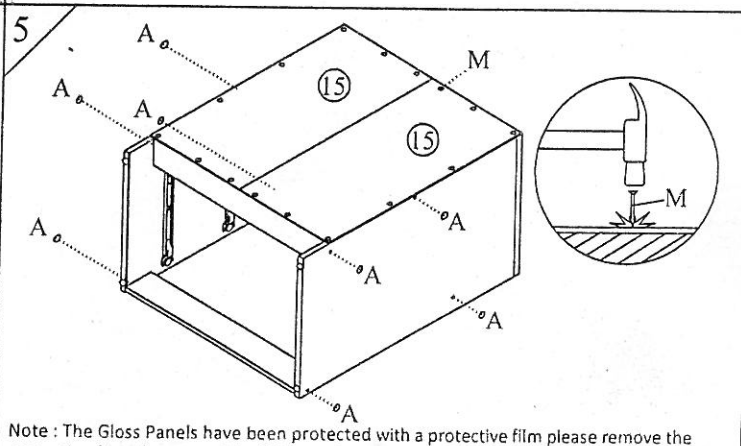
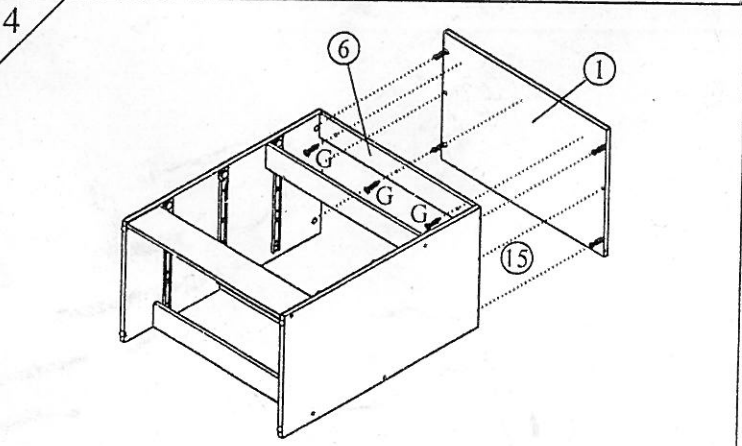
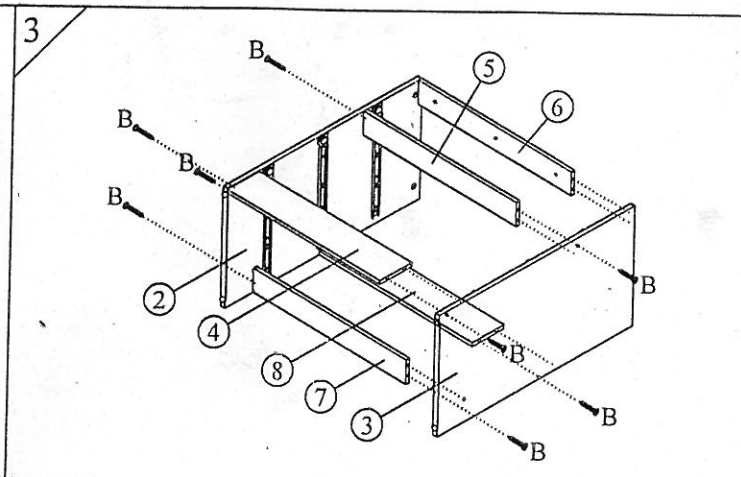
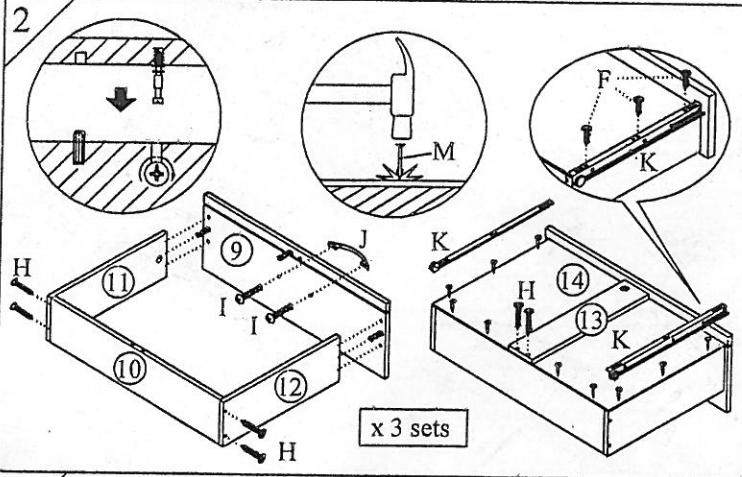
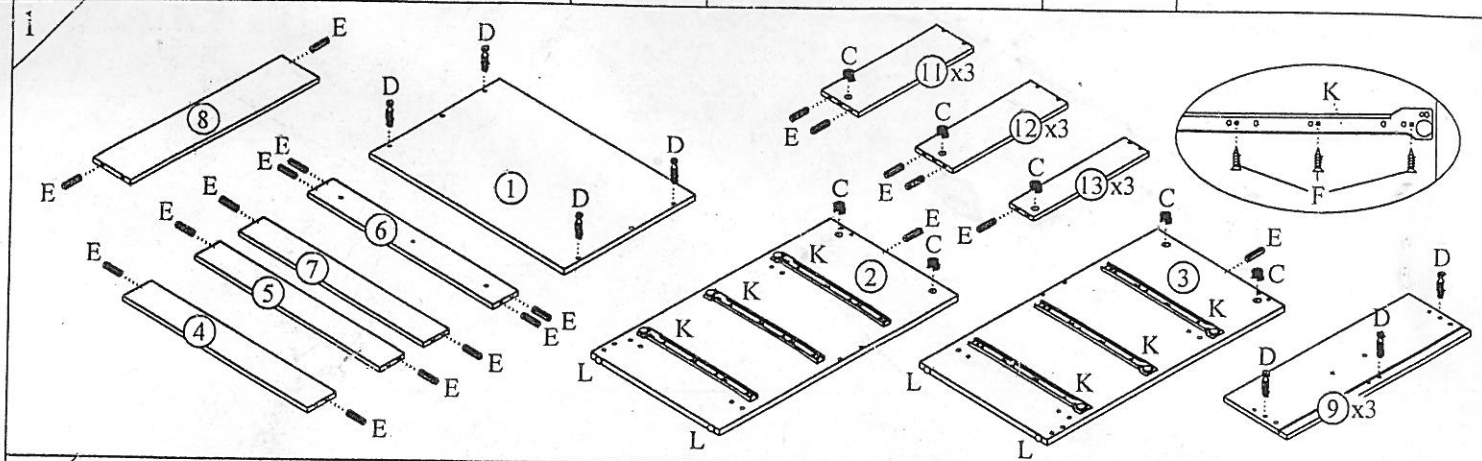


Model	DN CHD 5566-2
Form No	P13-RD-05-Rev01
Description	Assembly Instructions

Issue Date	19-03-2015
Revision	ARK 1.2

Draw By	CK TAY
Checked By	CK TAY

Approved By / Date	
Sheet	01 / 01



A	○ STICKER	8
B	CSK SCREW M4 x 45mm	8
C	CAM NUT 12mm	13
D	CAM BOLT	13
E	WOOD DOWEL M6 x 25mm	29
F	CSK SCREW M3.5 x 12mm	36
G	CSK SCREW M4 x 20mm	3
H	CSK SCREW M4 x 38mm	18
I	T/MS SCREW M4 x 18mm	6
J	HANDLE 124 - 96 METAL	3
K	METAL RUNNER 14"	3
L	PVC NAIL 5/8"	4
M	NAIL	46

Note : The Gloss Panels have been protected with a protective film please remove the protective film after assembly of the product.