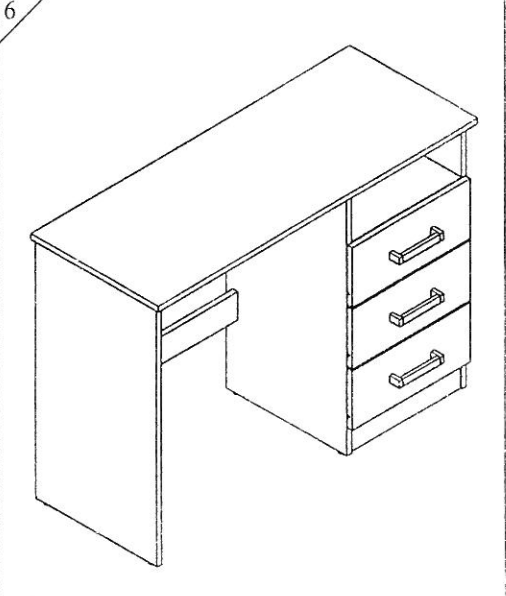
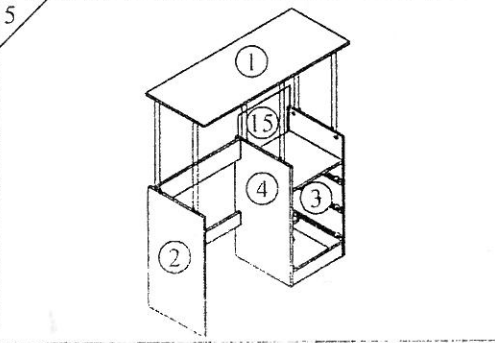
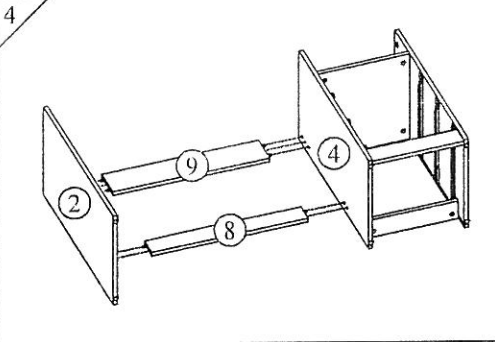
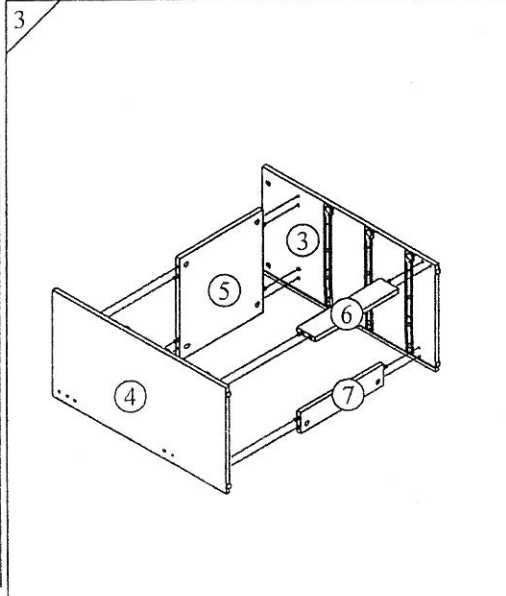
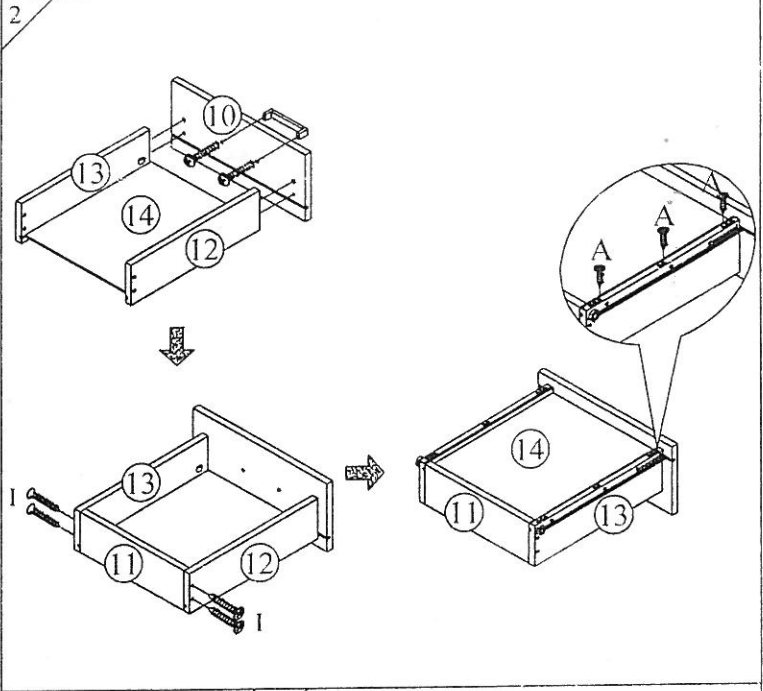
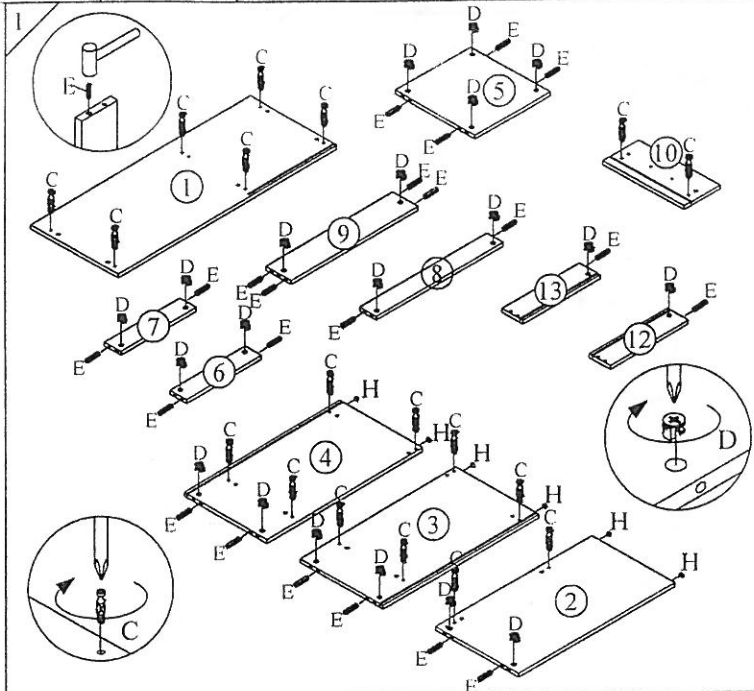
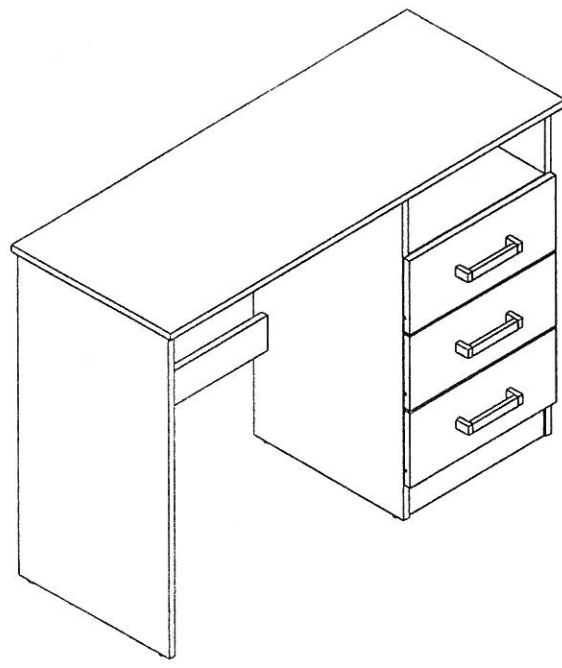




Model	DN DR1 116300-H	Issue Date	04 - 04 - 2015	Draw By	WILSON NG	Approved By / Date	
Form No	P13-RD-05-Rev01	Revision	ARK 1.1	Checked By	CK TAY	Sheet	01 / 01
Description	Assembly Instructions						



A		M3.5 x 12mm CSK SCREW	36
B		M4 x 20mm T/MS SCREW	6
C		SCREW - IN DOWEL	24
D		CAM FITTING (15mm)	24
E		WOOD DOWEL 8 x 30mm	26
F		METAL RUNNER 14"	3
G		HANDLE METAL ACRYLIC 128	3
H		PVC NAIL	6
I		M4 x 38mm CSK SCREW	12

Note: The Gloss Panels have been protected with a protective film please remove the protective film after assembly of the product.