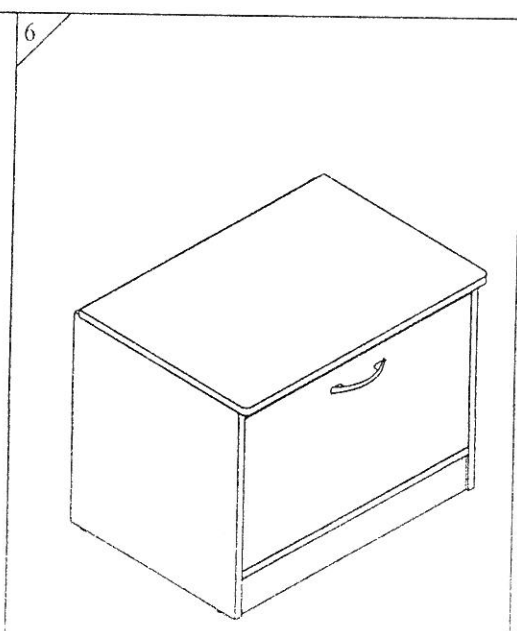
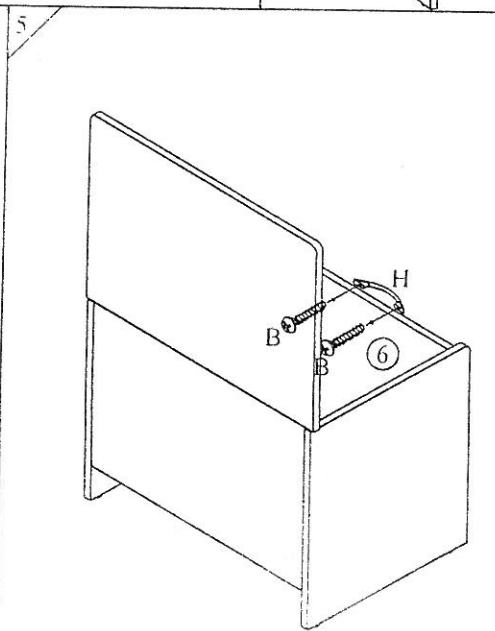
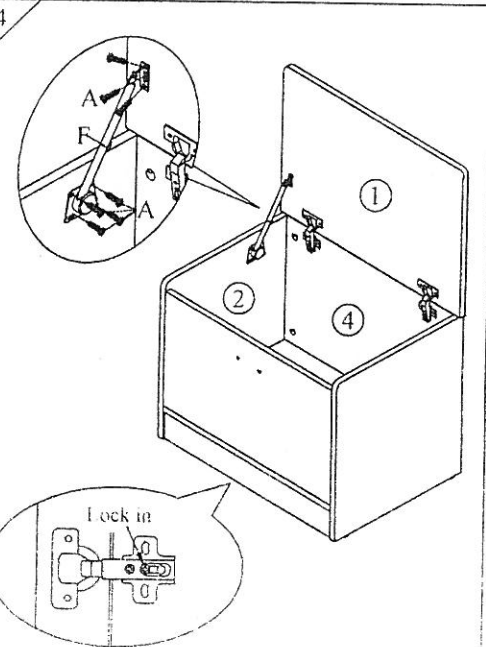
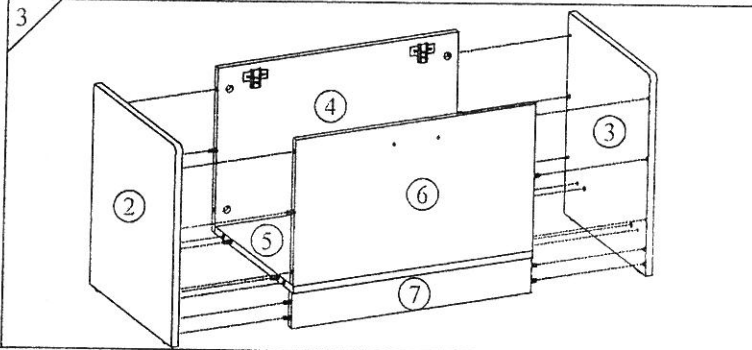
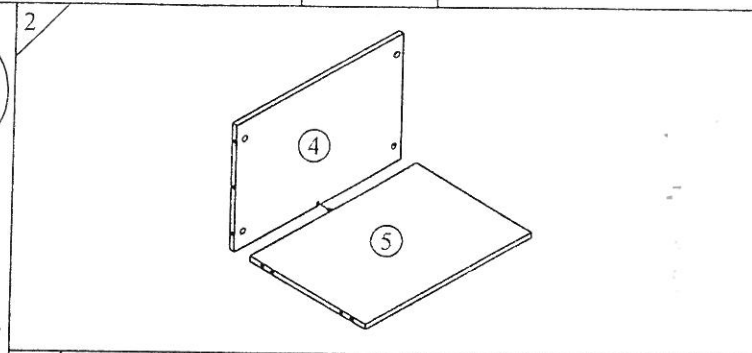
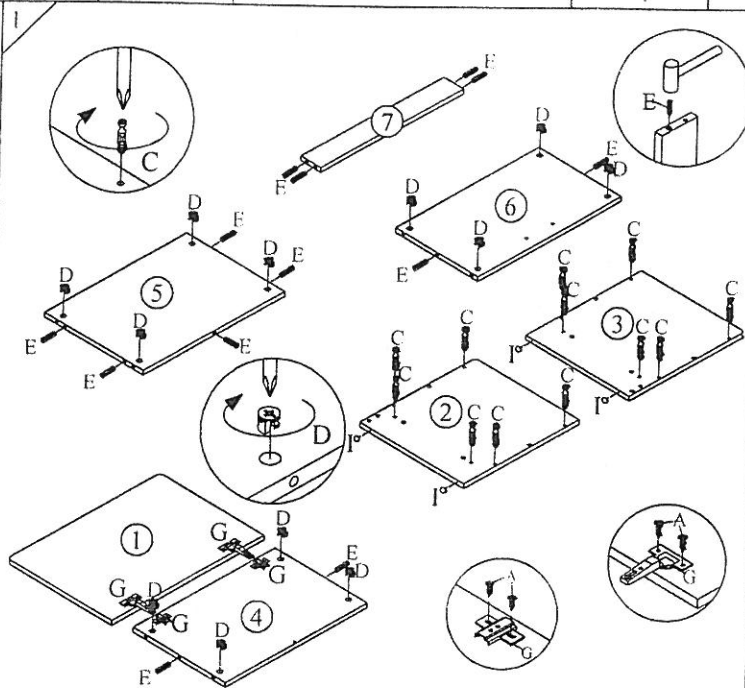
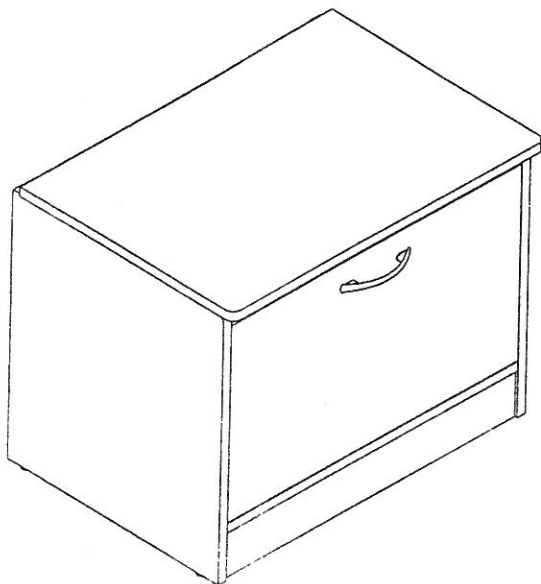




Model	DN TYB 930002	Issue Date	13 - 04 - 2015	Draw By	WILSON NG	Approved By - Date	
Form No	PI3-RD-05-Rev01	Revision	ARK 1.3	Checked By	CK TAY	Sheet	01 / 01
Description	Assembly Instructions						



A	M4 x 16mm CSK SCREW	15
B	M4 x 20mm T/MS SCREW	2
C	SCREW - IN DOWEL	12
D	CAM FITTING (15mm)	12
E	WOOD DOWEL 8 x 30mm	13
F	SOFT STAY KKA-600(L)	1
G	95A HINGES	2
H	HANDLE 124 - 96 METAL	1
I	PVC NAIL	4

Note: The Glass Panels have been protected with a protect veil, please remove the protection film after assembly of the product.