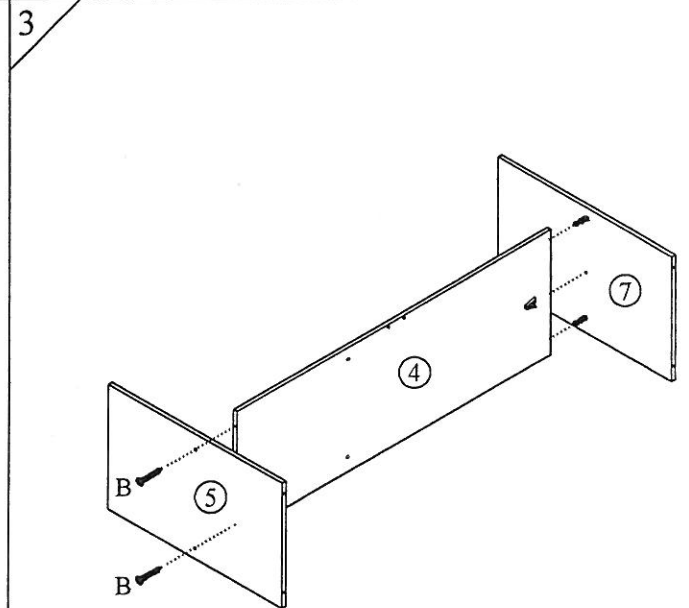
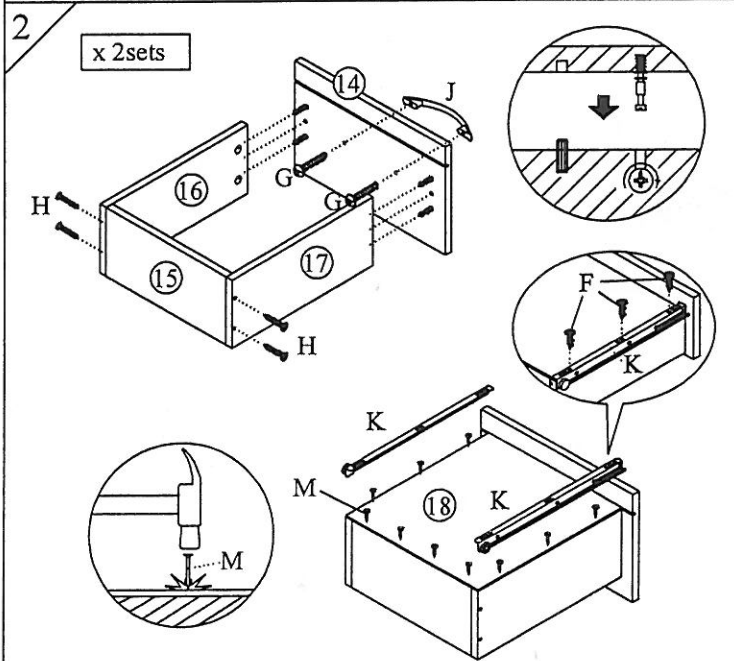
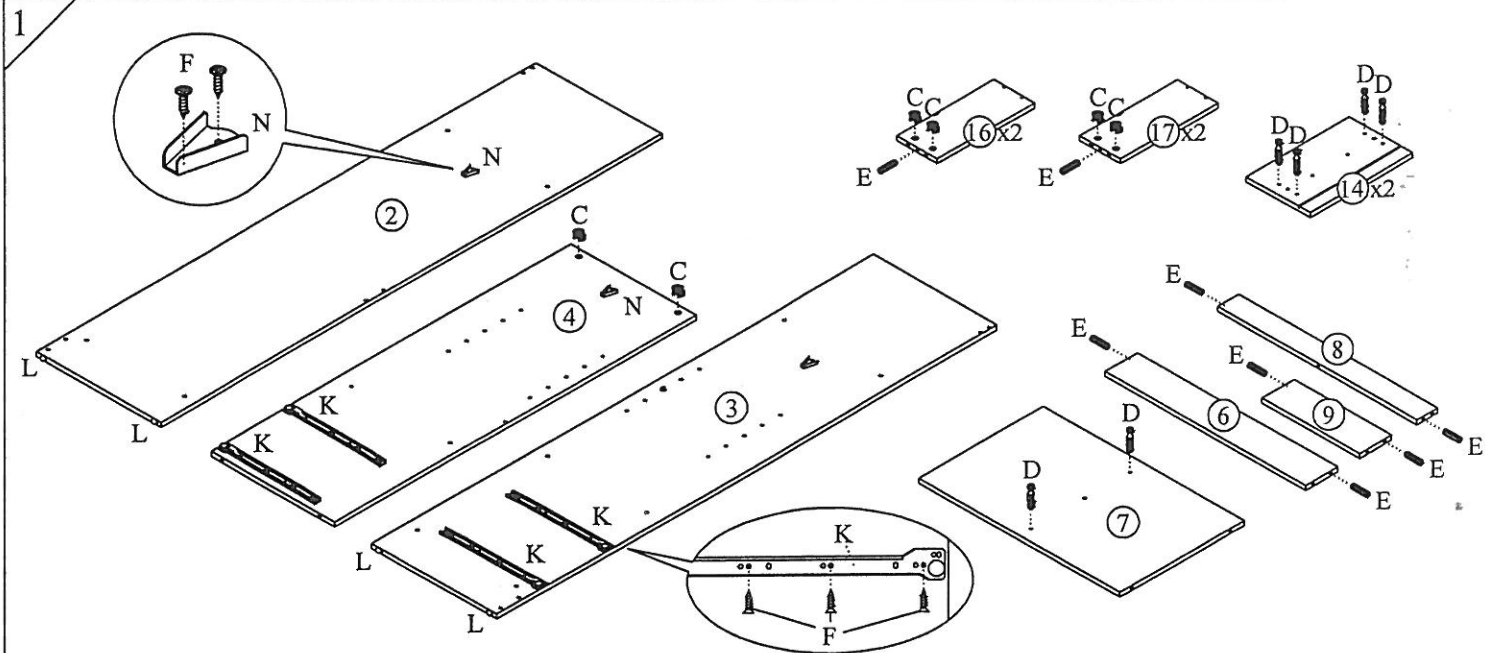
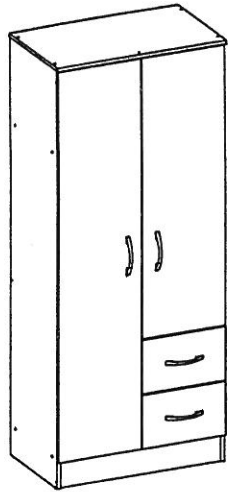




|             |                       |            |                |            |        |                    |         |
|-------------|-----------------------|------------|----------------|------------|--------|--------------------|---------|
| Model       | DN WAR 2204 - 1       | Issue Date | 25 - 08 - 2014 | Draw By    | CK TAY | Approved By / Date |         |
| Form No     | DN - F - 47           | Revision   | WAR 1.0        | Checked By | CK TAY | Sheet              | 01 / 02 |
| Description | Assembly Instructions |            |                |            |        |                    |         |



|   |  |                        |    |
|---|--|------------------------|----|
| A |  | ALLEN KEY M6           | 1  |
| B |  | JCBCW M5 x 40mm        | 25 |
| C |  | CAM NUT 15mm           | 10 |
| D |  | CAM BOLT               | 10 |
| E |  | WOOD DOWEL M6 x 25mm   | 11 |
| F |  | CSK SCREW M3.5 x 12mm  | 56 |
| G |  | T/MS SCREW M4 x 20mm   | 8  |
| H |  | CSK SCREW M4 x 38mm    | 8  |
| I |  | SHELF SUPPORT PVC      | 4  |
| J |  | HANDLE 124 - 128 METAL | 4  |
| K |  | METAL RUNNER 14"       | 2  |
| L |  | PVC NAIL 5/8"          | 4  |
| M |  | NAIL                   | 56 |
| N |  | V - BRACKET            | 4  |
| O |  | HINGES 95A             | 6  |
| P |  | PIPE 345mm             | 2  |
| Q |  | STICKER                | 15 |



|             |                       |
|-------------|-----------------------|
| Model       | DN WAR 2204 - 1       |
| Form No     | DN - F - 47           |
| Description | Assembly Instructions |

|            |                |
|------------|----------------|
| Issue Date | 25 - 08 - 2014 |
| Revision   | WAR 1.0        |

|            |        |
|------------|--------|
| Draw By    | CK TAY |
| Checked By | CK TAY |

|                    |         |
|--------------------|---------|
| Approved By / Date |         |
| Sheet              | 02 / 02 |

