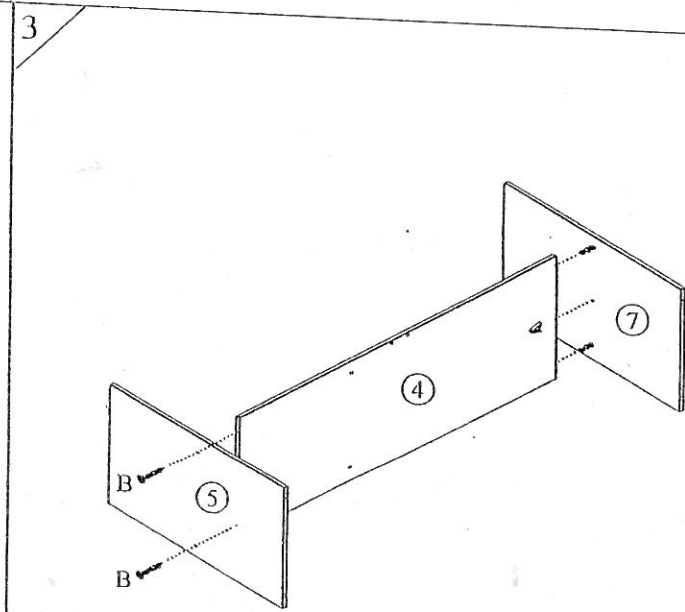
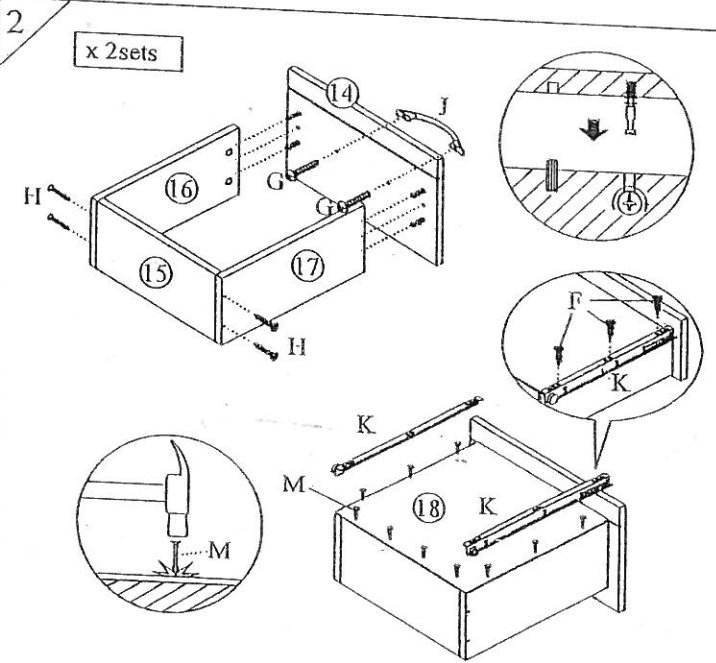
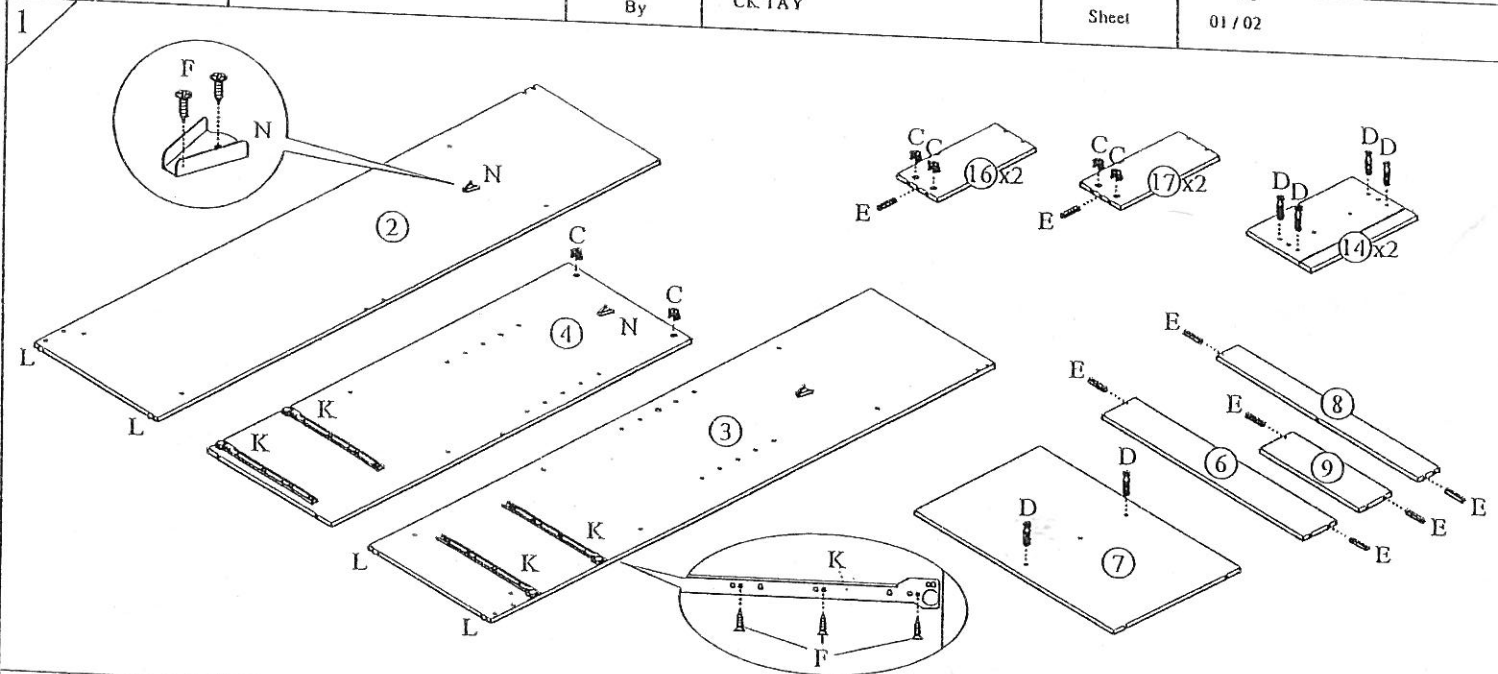
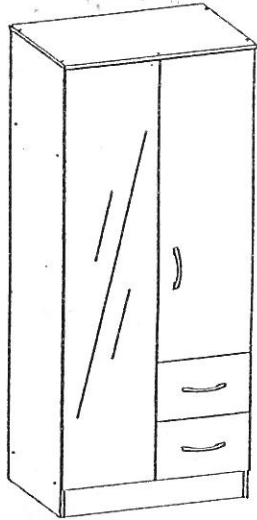




| | | | | | | | |
|-------------|-----------------------|------------|----------------|------------|--------|--------------------|--|
| Model | DN WAR 2204 - IM - PO | Issue Date | 10 - 05 - 2016 | Draw By | CK TAY | Approved By / Date | |
| Form No | PI3-RD-05-Rev01 | Revision | ARK 1.0 | Checked By | CK TAY | Sheet | |
| Description | Assembly Instructions | | | | | | |



| | | | |
|---|---|------------------------|----|
| A | ○ | STICKER | 15 |
| B | | CSK SCREW M4 x 45mm | 25 |
| C | | CAM NUT 15mm | 10 |
| D | | CAM BOLT | 10 |
| E | | WOOD DOWEL M6 x 25mm | 11 |
| F | | CSK SCREW M3.5 x 12mm | 56 |
| G | | T/MS SCREW M4 x 20mm | 6 |
| H | | CSK SCREW M4 x 38mm | 8 |
| I | | SHELF SUPPORT PVC | 4 |
| J | | HANDLE 124 - 128 METAL | 3 |
| K | | METAL RUNNER 14" | 2 |
| L | | PVC NAIL 5/8" | 4 |
| M | | NAIL | 56 |
| N | | V - BRACKET | 4 |
| O | | HINGES 95A | 6 |
| P | | PIPE 345mm | 2 |



| | | | | | | | |
|-------------|-----------------------|------------|----------------|------------|--------|--------------------|---------|
| Model | DN WAR 2204 - 1M - PO | Issue Date | 10 - 05 - 2016 | Draw By | CK TAY | Approved By / Date | |
| Form No | P13-RD-05-Rev01 | Revision | ARK 1.0 | Checked By | CK TAY | Sheet | 02 / 02 |
| Description | Assembly Instructions | | | | | | |

