



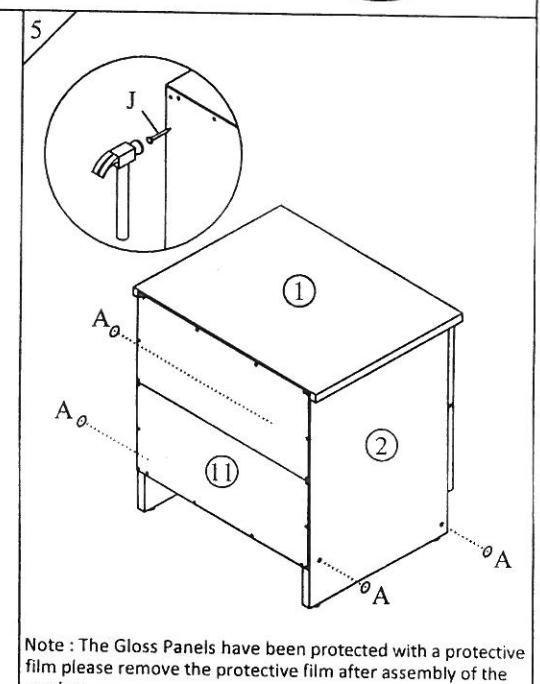
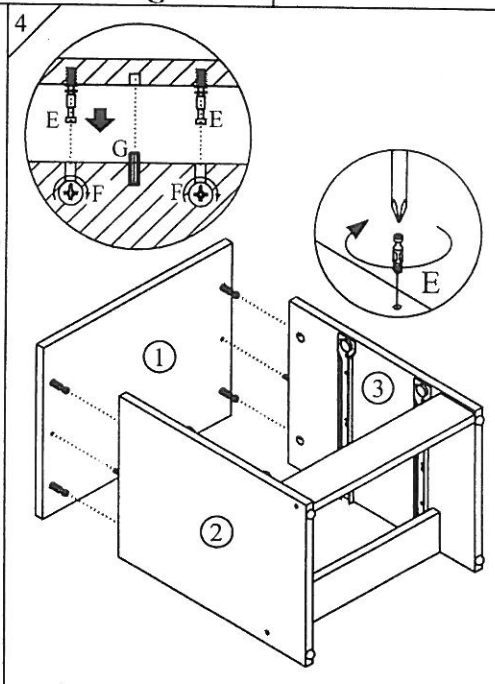
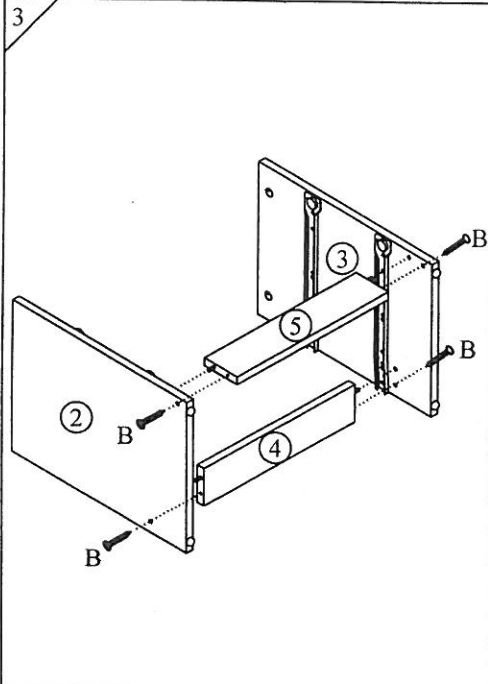
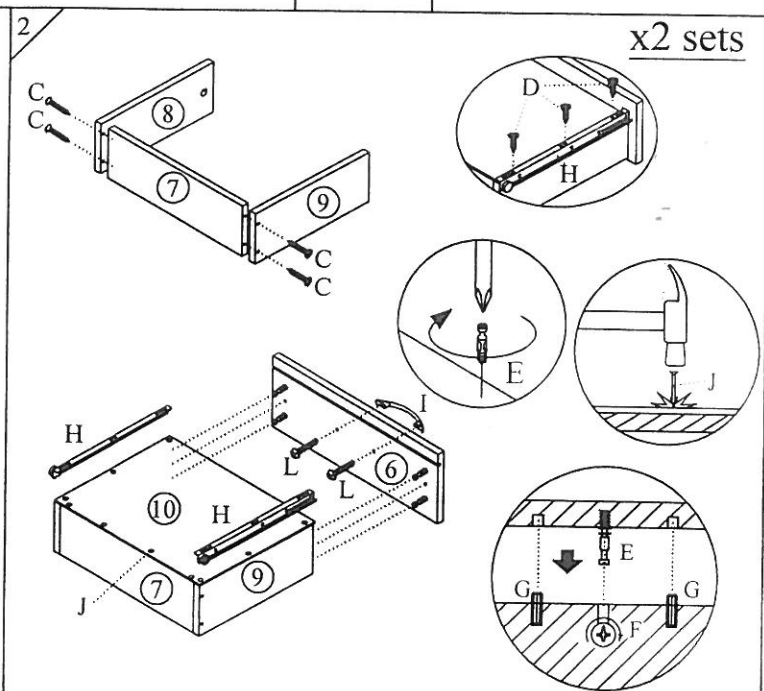
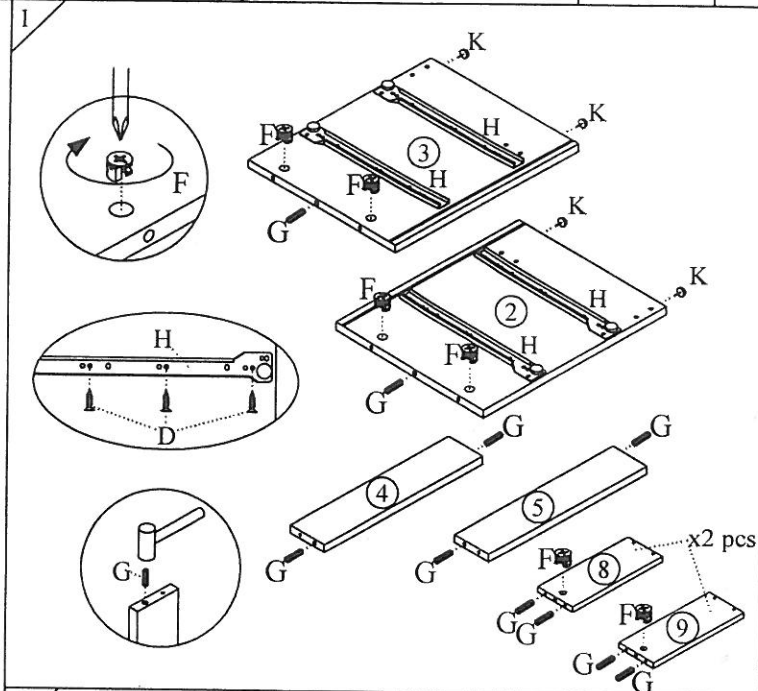
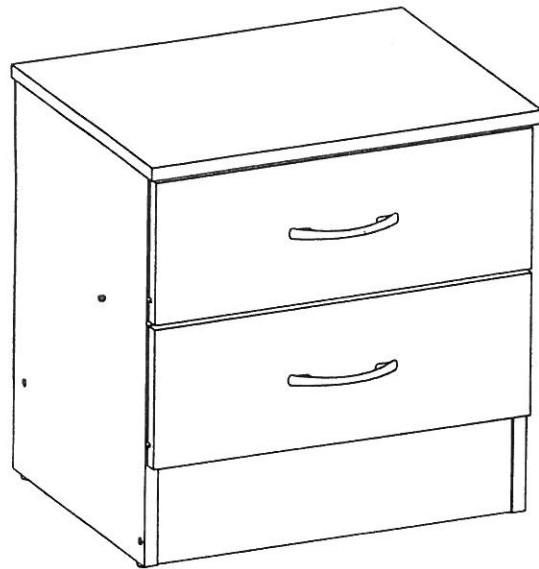
Model	DN SIT 101700 - 2
Form No	P13-RD-05-Rev01
Description	Assembly Instructions

Issue Date	05 - 06 - 2015
Revision	ARK 1.0

Draw By	CL TAY
Checked By	CK TAY

Approved By / Date	
Sheet	01 / 01

LATEST



A	○ STICKER	4
B	CSK SCREW M4 x 45 mm	4
C	CSK SCREW M4 x 38 mm	8
D	CSK SCREW M3.5 x 12 mm	24
E	CAM BOLT	8
F	CAM NUT 15 mm	8
G	WOOD DOWEL M6 x 25 mm	14
H	METAL RUNNER 12"	2
I	HANDLE 124-96 METAL	2
J	NAIL	40
K	PVC NAIL	4
L	T/MS SCREW M4 x 20 mm	4

Note : The Gloss Panels have been protected with a protective film please remove the protective film after assembly of the product.