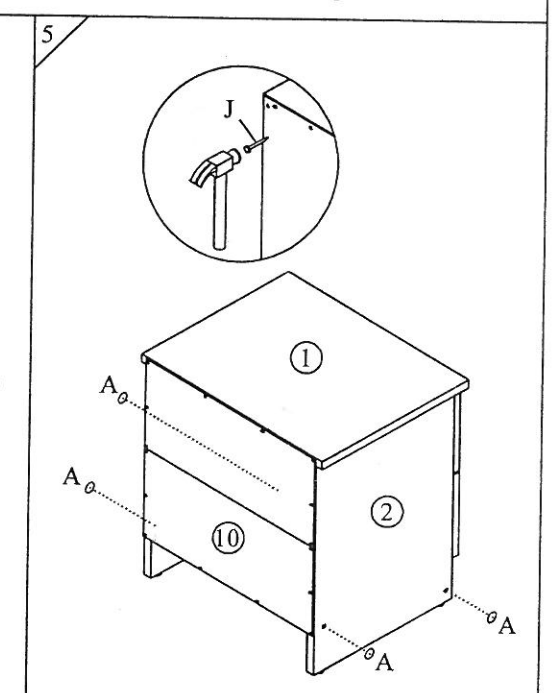
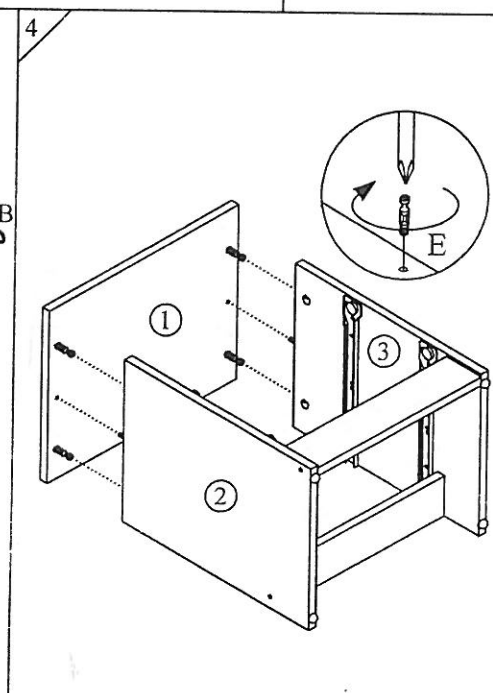
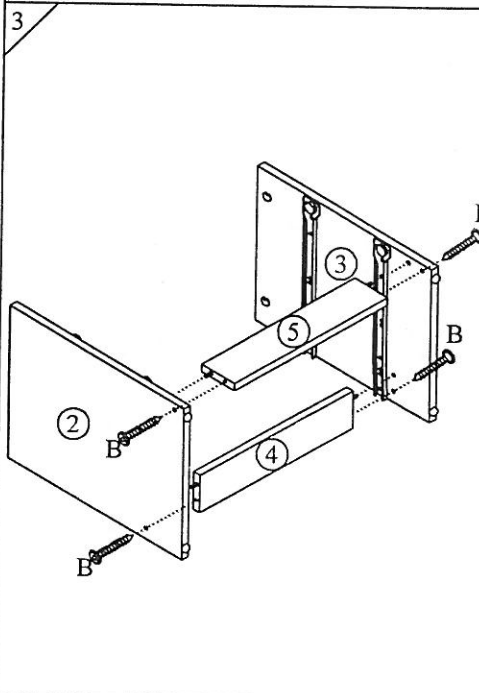
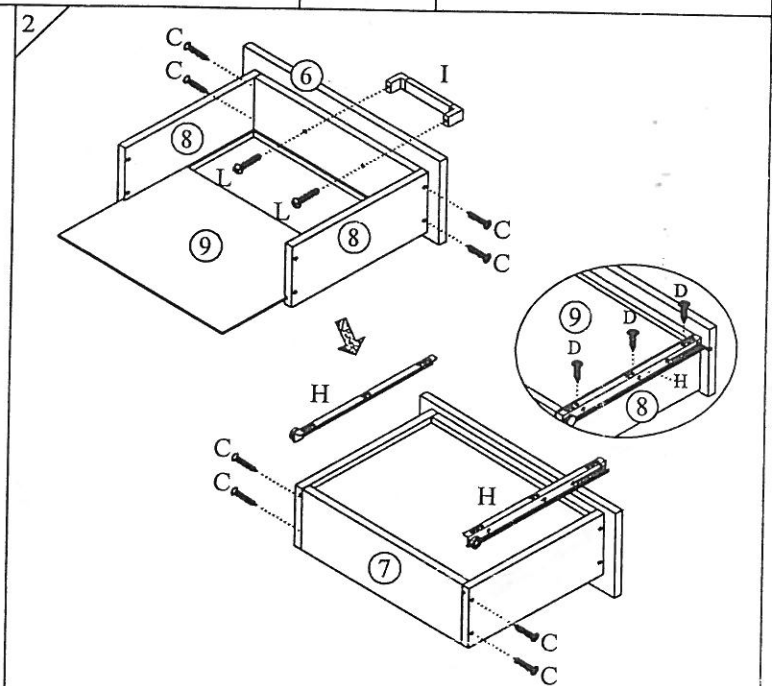
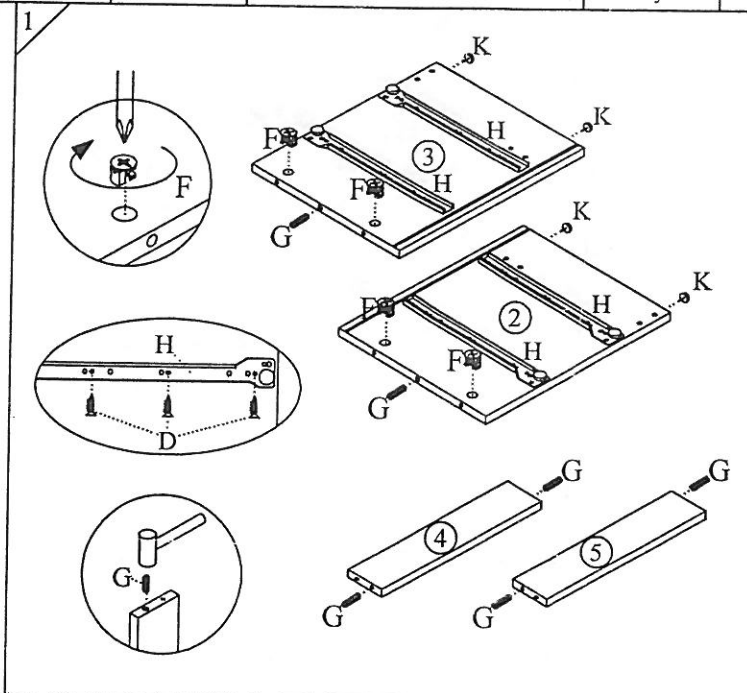
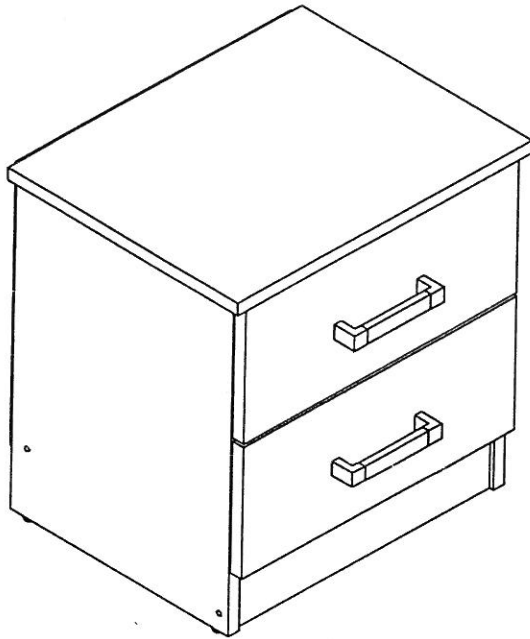




Model	DN SIT 101700-H	Issue Date	16 - 10 - 2014	Draw By	CK TAY	Approved By / Date	
Form No	P13-RD-05-Rev01	Revision	SIT 1.1	Checked By	CK TAY	Sheet	01 / 01
Description	Assembly Instructions						



A	○	STICKER	4
B		M4 x 45mm CSK SCREW	4
C		M4 x 38mm CSK SCREW	16
D		M3.5 x 12mm CSK SCREW	24
E		SCREW - IN DOWEL	4
F		CAM FITTING (15mm)	4
G		WOOD DOWEL 6 x 25mm	6
H		METAL RUNNER 12"	2
I		METAL ACRYLIC HANDLE 128	2
J		NAIL	16
K		PVC NAIL	4
L		T/MS SCREW M4 x 35mm	4