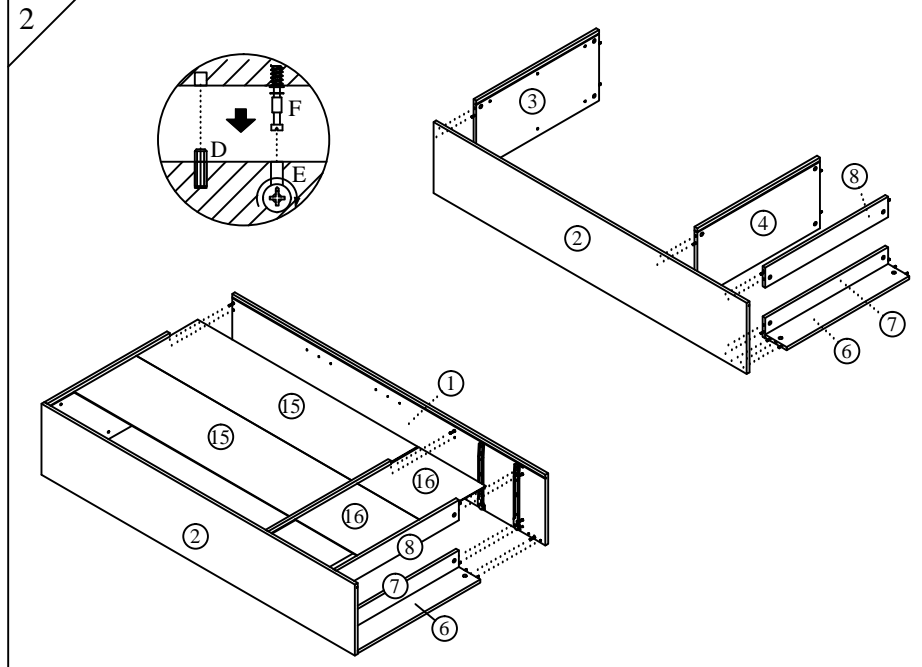
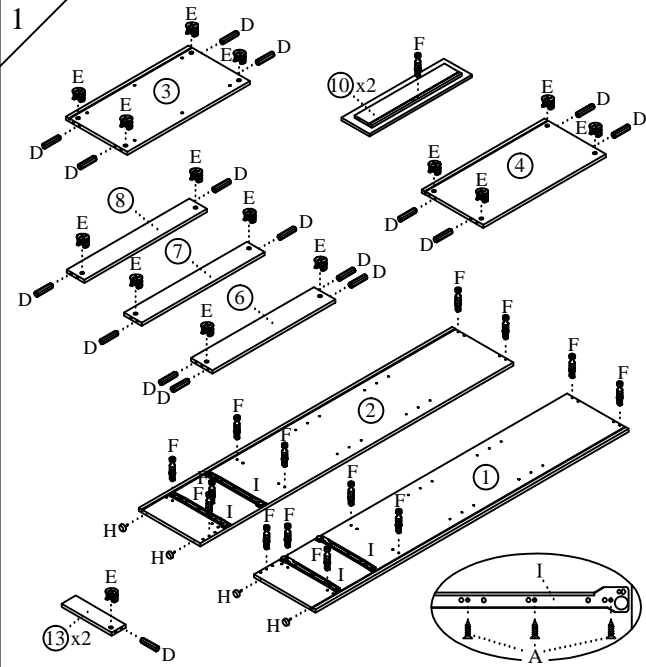
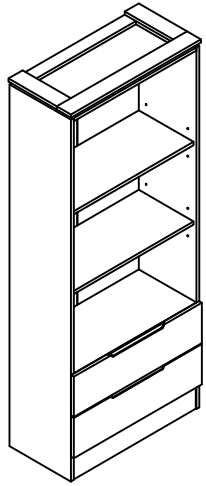




| | | | | | | | |
|-------------|-----------------------|------------|----------------|------------|-------|--------------------|---------|
| Model | DN STC 201 538 | Issue Date | 04 - 04 - 2018 | Draw By | Liang | Approved By / Date | |
| Form No | P13-RD-05-Rev01 | Revision | ARK 1.0 | Checked By | Liang | Sheet | 01 / 01 |
| Description | Assembly Instructions | | | | | | |



| | | |
|---|------------------------|----|
| A | CSK SCREW M3.5 x 12 mm | 24 |
| B | CSK SCREW M4 x 30 mm | 6 |
| C | CSK SCREW M4 x 38 mm | 20 |
| D | WOOD DOWEL M6 x 25 mm | 18 |
| E | CAM NUT 15 mm | 16 |
| F | CAM BOLT | 16 |
| G | WALL FIXING STRIP | 2 |
| H | PVC NAIL 5/8" | 4 |
| I | METAL RUNNER 12" | 2 |
| J | WASHER | 4 |
| K | METAL SHELF SUPPORT | 8 |
| L | BACKPLY STOPPER | 8 |
| M | CSK SCREW M4 x 16 mm | 8 |
| N | CSK SCREW M4 x 20 mm | 4 |

